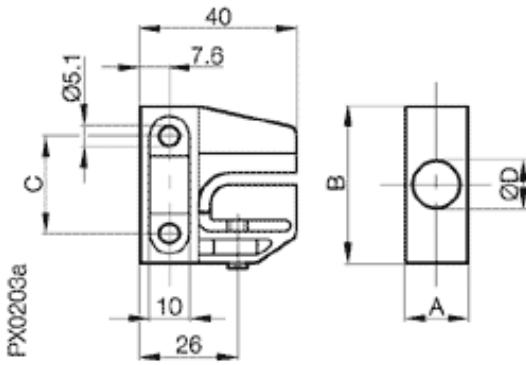


Accessories: Mounting unit BES 12.0-KB-2



A = 16; B = 40; C = 25; D = 12

Common Data

Version
Usable with

Clamp
Clamp for cylindrical sensors M12

Mechanical Data

Measurements W x H x D or Dia x D
Material
Mounting

40x40x16
PA6
with 2 screws M5

Datasheet number::

Definitions see general catalog.
If not otherwise noted, ratings according to
IEC 60947-5-2 (DIN EN60947-5-2)

Balluff GmbH
Schurwaldstrasse 9
73765 Neuhausen a.d.F.
Phone (07158) 173-0 Fax (07158) 5010

Datenblatt by CD-ROM - 04/2007

BALLUFF
sensors worldwide